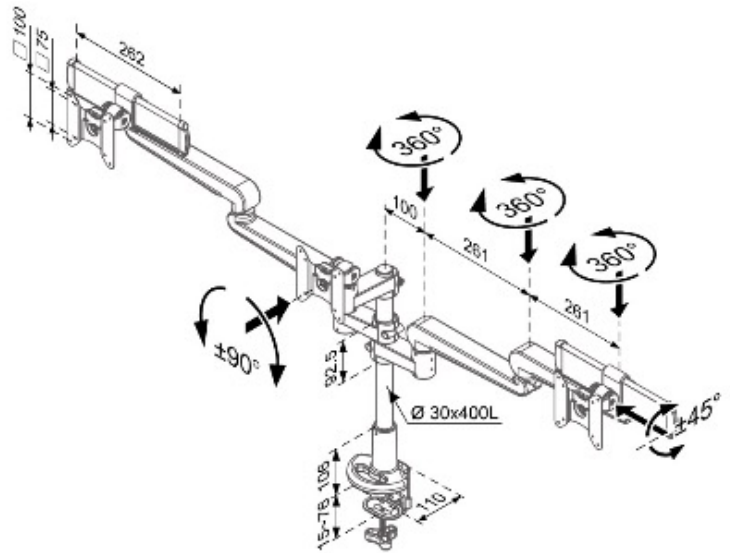


Ascend Triple Screen with Lateral Extension Plates and Desk Clamp



Clamp Type

unit:mm

Product Specification

| | |
|-------------------------|---|
| Product code | CMS2977S (Silver) |
| Weight capacity | Each arm holds screens up to 8kg each |
| Height adjustment range | 600mm at full extension (single extending arm length) |
| Screen size | Screen sizes up to 32" * |
| RAL codes | RAL9006 (Silver) RAL9016 (White) RAL9017 (Black) |
| Movement | Height adjustment, tilt, swivel, rotation and reach |

* Depending on model, check measurements

Additional Information

Customisable clamp depth dependent on requirement

Integral cable management

Comes ready assembled for quick and easy installation

Over 90% of the Aluminium Alloy content is recycled



Ergo
01235 773373
www.ergoldtd.co.uk
sales@ergoldtd.co.uk